

Systems for optimising production / Accessories

Bracket for wall mount. GY**Part No.:** 960.000.53**MECHANICAL DATA**

Length	55 mm
Width	77 mm
Height	57 mm
Diameter	71 mm
Materials	PA-GF
Housing colour	Grey
Weight with packaging	46 g
Product weight	43 g

APPROVAL DATA

Conforms with CE	No
WEEE	No
Conforms with RED directive	No
Conforms with ATEX-directive	No
Conforms with CCC	No
Conforms with UL	No
Conforms with FCC	No
Conforms with IC	No
EAC certificate available	No
Conforms with AS-I	No
ICAO Certification	No
Conforms with DNV	No
Conforms with RoHS CN	No

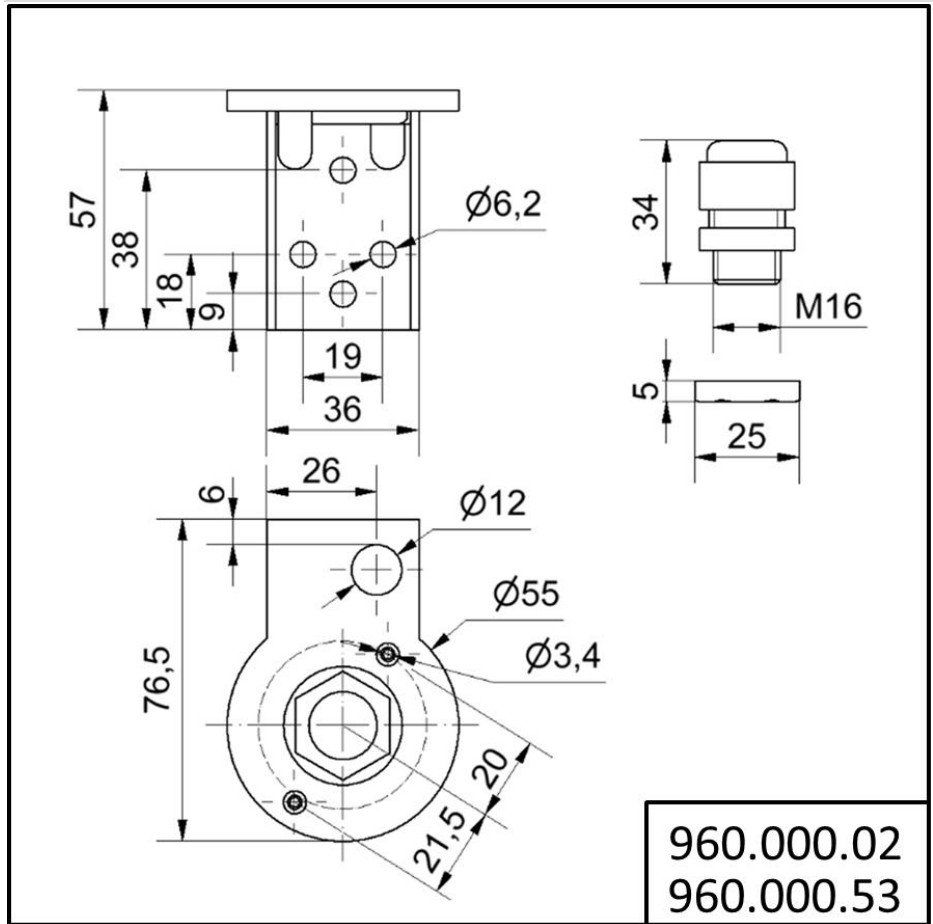


For additional installation and mounting information, refer to the appropriate user guide at www.werma.com. This printed copy is for information only and is subject to alteration.

Systems for optimising production / Accessories

Bracket for wall mount. GY

DRAWING



! For additional installation and mounting information, refer to the appropriate user guide at www.werma.com. This printed copy is for information only and is subject to alteration.